

Technical data

Engine	Mercedes Benz OM 936 LA Tier 4 final incl. AdBlue and SCR-Cat
Cylinder	R-6, Twin-Turbo
Piston displacement	7.7 l
Rated engine speed	1,700 rpm
Rated power at 1,700 rpm	260 kW/354 PS
max. torque at engine speed 1,200 rpm	1,400 Nm
	automatic, hydraulic fan reversing
Fuel tank capacity	approx. 1,400 l
AdBlue tank capacity	approx. 95 l

Propulsion	
Hydrostatic propulsion	LINDE ROEGELBERG 3-speed transfer gearbox Crawl gear can be switched separately
Driving speeds	Crawl speed 0 - 1 m/min, continuously variable incl. torque-dependent charge feed control 1st Gear: 0 to 16 km/h, continuously variable 2nd Gear: 0 to 40 km/h, continuously variable automotive driving mode incl. and automatic speed reduction
All-wheel drive	permanently in loading mode can be switched manually in the road travel gear

Axles	2 planetary steering axles driven by drive shaft
Differential locks	Front & rear axle, pneumatically separated, shiftable with automatic operation automatic switch-off during road driving
Axle support	hydraulically pre-loaded support cylinders on the rear axle pendulum-sprung rear axle

Chassis	
Steering modes	Front axle steering, rear axle steering, all-wheel steering pre-selectable steering combinations including automatic centre position rear axle spring-mounted, comfortable chassis (3 rd and 4 th axle) for road driving, height-adjustable for driving over fields

Tyres	
	MICHELIN MegaXBIB 710/75 R 34

Brakes	
Service brake	hydraulic drum brake on both axles
Parking brake	Spring-loaded parking brake

Hydraulic system	
Hydraulic tank capacity	180 l Pump distributor gears including pressure circulation lubrication
Load-sensing drive hydraulics max. delivery rate	162 l/min BOSCH-REXROTH for cylinder functions including simultaneous control
Pick-up and post-cleaning	4 x closed hydraulic circuits 4 x axial piston pumps (BOSCH-REXROTH)

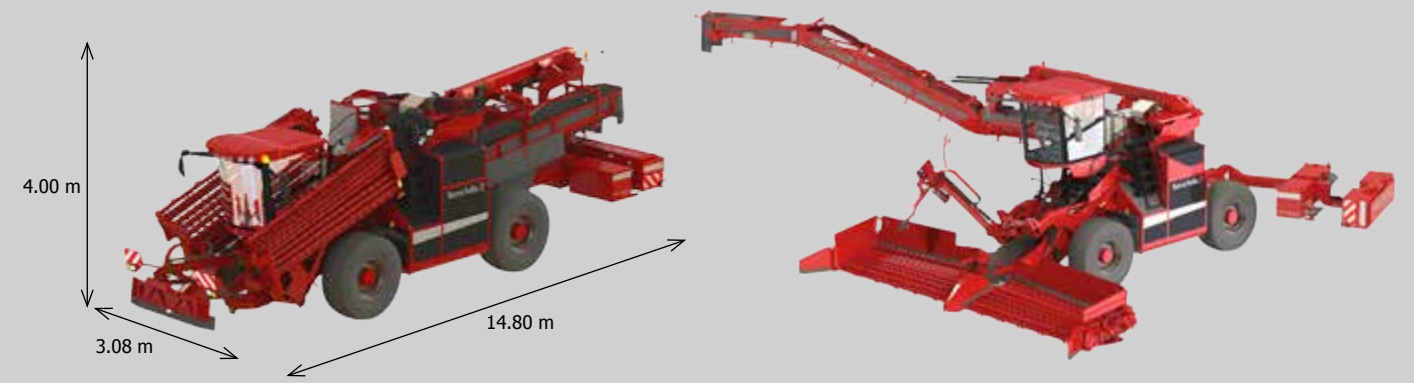
HOLMER EcoPower engine management system	
	Loading at low engine speed 1,150 rpm through optimum gear transfer load-shifting lamellar clutches for decoupling pump lines during road driving
Power supply	24 V alternator 150 A central, modular structure of the on-board electronics in circuit board construction water-resistant and vibration-resistant incl. plug systems with secondary locking 1 x central computer and interchangeable expansion modules 2 x 12 V sockets (cab) 1 x 24 V sockets (engine area) 2 x 12 and 24 V fixed connection (for radio equipment, etc.)

Panorama cab	
	3.5 m ³ space Soundproofing 360° visibility, panorama glazing and adjustable side windows can be hydraulically elevated to 5.10 m and moved back by 1.24 m Climate control and auxiliary heating 4 x windscreen wipers on front, side and rear windows, including interval and wash function Stereo CD radio with Bluetooth hands-free system GRAMMER swivel seat with seat heating and pneumatic lock at the push of a button Sun blinds spacious refrigeration compartment and storage compartments for folders
Innovative operating concept HOLMER SmartDrive	12.1 inch HOLMER EasyTouch touchscreen terminal 2 x ergonomic joysticks with integrated mini joysticks for constantly used functions Settings of all units can be operated and stored using softkeys Quick selection function Cleaning intensity via freely assignable softkeys Fault memory function and diagnostics menu including export via USB interface

Illumination	
Headlights	2 x dipped-beam headlights LED (1,950 lm) 2 x high-beam headlights LED (1,950 lm) 2 x rear lights in full-LED technology and dynamic indicators
Work lights	14 x LED (2.500 lm) cab, all-round 10 x LED (1.800 lm) cleaning unit, transfer loader 3 x all-round lights energy-saving LED engine compartment lighting

Camera system	4 camera series Depth guiding, post-cleaning, transfer loading and reversing camera, Screen layout: 1, 3 and 4-fold monitor mounted on the swivel seat
----------------------	--

Centralised lubrication	BEKA-MAX electronically controlled Intermittent lubrication and manual actuation can be set over the terminal
--------------------------------	---



Pick-up	VarioPick from HOLMER patented Width 9.50 m (inside) 3 independently adjustable roller types automatic and manual reversing function Frost breaker
Angle	Adjustable from 17° to 22°
Rollers	4 pick-up rollers (Finger and transfer rollers) 6 pre-cleaning rollers (Distribution rollers) 8 main cleaning rollers (Pinch and gathering rollers) 140 mm diameter Coil diameter 20 mm made of special wear-resistant material in the conveying direction, special reinforcement on the coils of the gathering rollers, max. 3-ply as standard, up to 4 hard welds between the coils integrated bearing on the continuous gathering roller tube without incline incl. carbide plate at the end of the coils
Pointed tip	Automatic speed adjustment with the transfer loader, slow, interchangeable tip and two-piece hood
Pile clearer	Telescopic tube including pendulum compensation and automatically foldable headlights proportional control via mini joystick Automatic residual beet including offset function

In-feed conveyor	900 mm wide, Partition 50 mm resistant, soft PU drivers, incl. stone and dirt flaps Cleaning function with doubling of the belt speed in very sticky soils In-feed conveyor channel with PU plates for wear protection
-------------------------	--

Post-cleaners	8 x post-cleaning rollers with special double-coating Drop steps 680 to 780 mm (In-feed conveyor on post-cleaner) Drop steps 640 to 720 mm (Post-cleaner on transfer loader) Filter belt (series), 900 mm wide including 50 mm partitioning HOLMER Cleaner (optional), 1,100 mm wide HOLMER VarioCleaner (optional), 1,100 mm wide HOLMER CrossRoller flex (optional), 1,100 mm wide Beet brake (optional)
----------------------	---

Transfer loading arm	Belt width 800 mm Loading height over 6.00 m Loading width max. 15.00 m Lightweight construction with high-strength PE wear plates can be swivelled to the right or left by up to 332° swivel angle
-----------------------------	---

Counterweight arm	integrated foldable diesel tank max. 2,870 kg (full diesel tank) with shift in centre of gravity up to 19%
--------------------------	---

Automatic fold system	automatic folding of the pick-up, cab, transfer loading arm, incl. swinging out and unfolding of counterweight arm Working position or road driving at the push of a button, pre-selectable right or left
------------------------------	--

Cleaning path	min. 24.4 m to max. 31.3 m
Cleaning area	max. 35.5 m ² Automatic shutdown strategies for reversing, pick-up and post-cleaning

Weighting system (optional)	Belt scale from Pfreundt with 2 load cells on the transfer loader and menu control in the terminal, weighing rollers at the straight kink part
------------------------------------	--

HOLMER DynaFill (optional)	fully automatic filling from truck patented laser sensor system on the transfer loading arm incl. recognition of the material cone
-----------------------------------	--

Water sprinkler system (optional)	up to 1,200 l 4 jets in pick-up 6 jets in post-cleaner Continuous and interval operation pressure-dependent control separate pre-selection of the sprinkling and break times Switch right/left
--	--

Dimensions and weight	
Total length	14.8 m
Width	3.08 m at 710/75 R34
Height	4.00 m
Ground clearance	4.80 m

Optional equipment	
	TopView camera system IF 800/70 R 32 MICHELIN 182 A8 TL CerexBib (outer width 3.27 m) Stereo CD radio with Bluetooth hands-free device and DAB+ Bunker pick-up Pile divider; pick-up width: 3.70 m

Subject to modifications for technical progress; approved by TÜV and the trade association; in accordance with the CE regulations