



Terra Felis 3

HOLMER 
exxact

The best in its class

The Terra Felis 3 is the most modern beet cleaner loader in the world. The Terra Felis has already proven itself internationally for 10 years, and has since been setting standards in gentle and efficient beet-loading – as the pick-up that has been developed and patented by HOLMER proves.

HOLMER DynaFill for the automatic loading of trucks, the largest cab or the fastest automatic folding system – the Terra Felis 3 offers the utmost comfort. The cleaning concept can be individually customised and offers solutions for all use conditions. 9.50 m pick-up width, 15 m transfer loading range and intelligent counterweight balancing the overall concept.

With passion and appreciation, at HOLMER we work on advanced solutions to inspire you with the Terra Felis. Our machines are technologically advanced. Worldwide. For your success.

The Terra Felis 3 at a glance:

- > **354 PS / 260 kW Mercedes engine with AdBlue – for the sake of our environment**
- > **New hydraulic drive concept – for more power with less fuel consumption.**
- > **The HOLMER patented pick-up – for more flexibility in cleaning**
- > **Four different post-cleaning variants – for individual adaptation to the local conditions**
- > **Driver assistance system HOLMER DynaFill in combination with the height-adjustable cab – for perfect safety during loading**
- > **Practical counterweight arm – for maximum stability and straightforward refuelling**

"The Terra Felis provides the best and most gentle cleaning on the market. We always have the best result at the sugar factory."

**Rainer Röckl
(LMG Laaberrübe GbR)**

Keep ahead.

History

The Terra Felis has proven itself internationally for 10 years. However, the history of beet-cleaning and loading technology from Eggmühl goes much further back.

- > **Beet loaders were being built at HOLMER as early as 1979. 51 of these cleaning belts had already been sold in 1988.**
- > **In 1982, Erich Fischer from Eggmühl patented the first self-propelled beet-cleaning loader - the Fischer-Maus, to which the machines still owe their nickname today.**
- > **In 1993, HOLMER developed its first self-propelled beet-cleaning loader, which was already equipped with a 260-HP Mercedes engine, an 8-metre pick-up, a 12-metre transfer loading arm and a hydraulically height-adjustable cab.**
- > **In 2007, HOLMER built the first Terra Felis prototype in order to also use its expertise in handling sugar beet for transfer loading.**
- > **In 2008, HOLMER had revolutionised the beet-loading – on the newly developed and patented pick-up, the cleaning path could be flexibly adjustable for the first time.**

The Terra Felis 3 is the logical further development of all this experience. It is quality made in Germany. HOLMER develops and builds its vehicles in Bavarian Eggmühl – and has almost 50 years of experience as a machine builder and partner in agriculture.

Every day, the HOLMER team passionately works on the machines so that they can impress you. Customer service, spare parts deliveries, sales – at HOLMER, you get everything from a single source and are part of a strong, innovative family.



Have experience.



"We implement all ideas in the CAD design. Thanks to the 3D representation on the computer, the collaboration with the colleagues in other departments is very successful. This allows us to create prototypes and series parts within a short timeframe. I feel proud when my drawings and calculations turn into a perfect solution for our customers."

**Johann Roth
(Development)**

Be sustainable.



From professionals for professionals

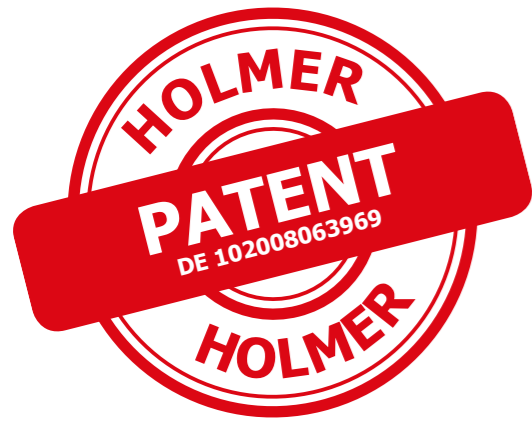
HOLMER has been building Terra Felis for 10 years. We have had experience in the cleaning and transfer loading of sugar beet since 1979. Our experience is your success.

The clear goal in developing the Terra Felis 3 was to ensure optimal protection of the sugar beet with maximum safety during transfer loading at the same time. Our developers threw all their expertise into this: The patented HOLMER pick-up has been consistently further developed with VarioPick and has revolutionised transfer loading - both through the improved visibility of the height-adjustable cab and the DynaFill driver assistance system.

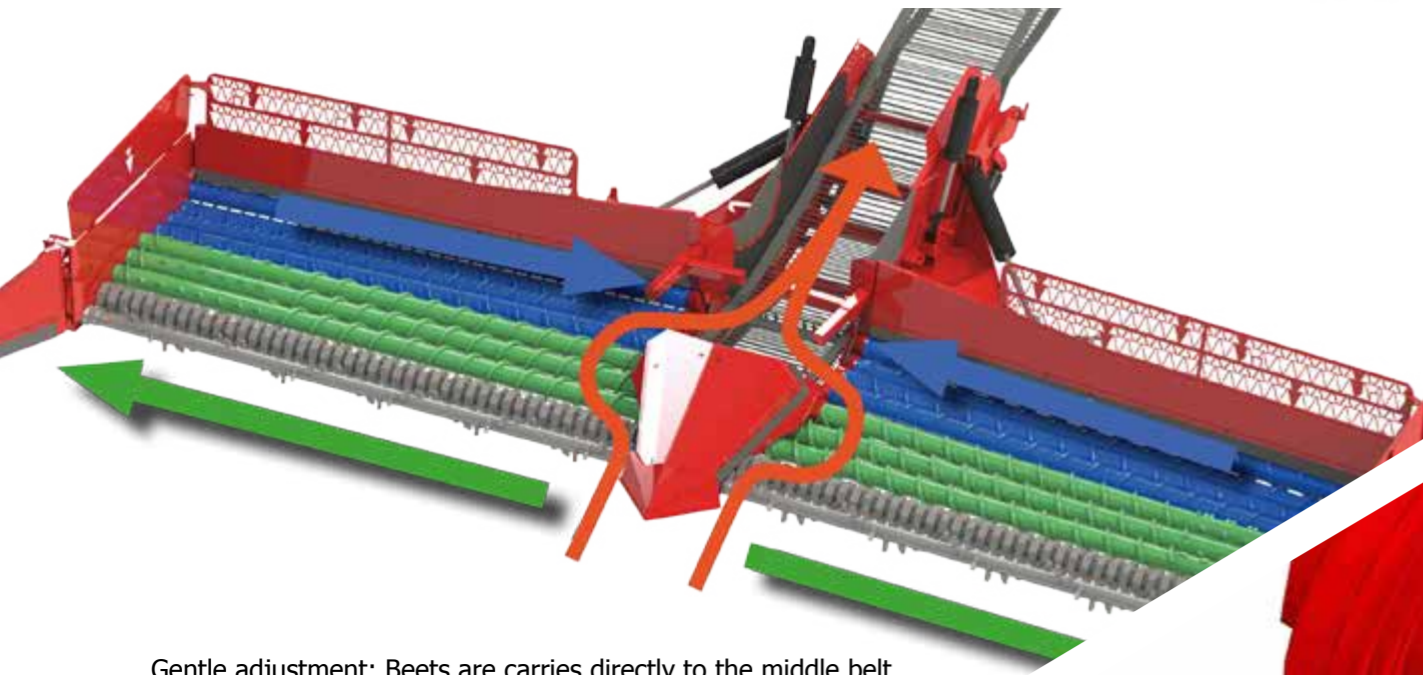
Thus, the Terra Felis is not simply a machine. It is the concept for gentle, safe and economical beet-loading – regardless of the weather and the ground.

The Terra Felis 3 developed in Eggmühl (Bavaria, Germany):

- > **Sustainable overall concept – for your success**
- > **Patented HOLMER VarioPick – for a flexible cleaning path and less consumption**
- > **Intelligent solutions thanks to driver assistance systems – for optimum driver relief and maximum safety**



High speed: The cleaning route is nearly getting doubled.



Gentle adjustment: Beets are carries directly to the middle belt.

Pick-ups

Different conditions, different settings: With the patented HOLMER pick-up, the cleaning path, and thus the cleaning intensity, can be adjusted individually at the push of a button. For this purpose, the rotational speeds of finger and transfer rollers, as well as distribution and gathering rollers, can be adjusted steplessly. Higher speeds on the distribution rollers first convey the beets on the cleaning table to the outside. This almost doubles the cleaning distance compared to the gentle setting.

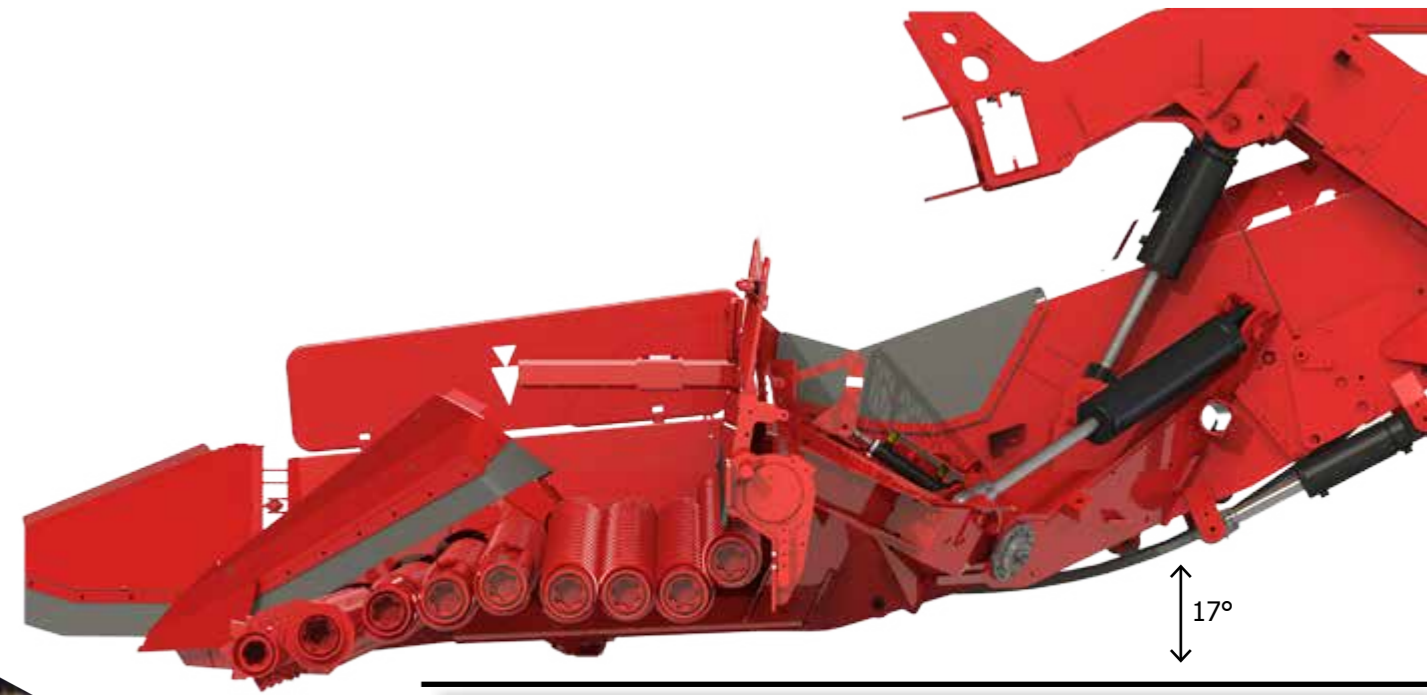
Cleaning without compromise, because it is only the beet that matters:

- > **A total of 18 wear-resistant rollers with automatic reversing function – for perfect cleaning**
- > **As a standard, all cleaning rollers have up to a fourfold hard welds, as well as max. 3-ply special reinforcement on the coils of the gathering rollers – for lowest wear and maximum durability**
- > **Proven variable cleaning distance through 3 independently adjustable roller types (finger and transfer rollers, distribution rollers and gathering rollers) – for uncompromising beet protection at maximum loading capacity**
- > **Large roller diameter of 140 mm and 20 mm coil diameter; 17 spiral windings per roller – for reduced wear without sticking**
- > **Gathering roller drum with constant diameter and integrated bearing; carbide plate at the end of the coils – for reduced resistance of the beets during transfer to the in-feed conveyor, reduced breakage loss and maximum wear protection**
- > **9.50 m pick-up width (inside) – for flexibility in all operations**
- > **Low speed with high loading efficiency – for lower fuel consumption**
- > **Stepless speed monitoring of the drives including automatic and manual reversing of all rollers – for unobstructed work**
- > **Pointed tip with replaceable tip and two-piece hood – for easy maintenance**
- > **Automatic residual beet pick-up including offset function and pendulum compensation on the pile clearer – for comfortable and straightforward residual beet pick-up**
- > **Optional water spray system up to 1200 l (continuous operation, interval, in case of hydraulic pressure, separate pre-selection of spraying and non-spraying intervals, switching right/left) – for reliable loading and cleaning without compromises**



Be considerate.

Be sincere.

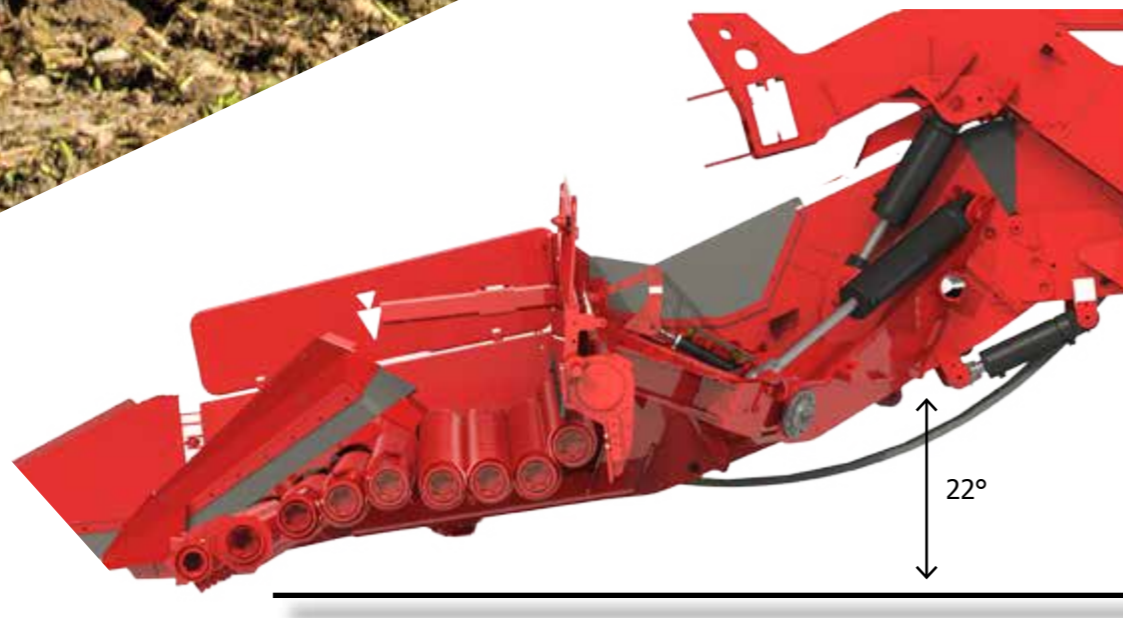


VarioPick

The unique extension for the pick-up of all times: With the newly-developed HOLMER VarioPick, both the cleaning efficiency and the working angle can be individually adjusted. If the crop is only lightly soiled, a low working angle ensures minimum fuel consumption through optimised, smooth pulling; in case of increased soiling, a higher working angle provides additional space for the removed soil and weeds. This consistently rules out any floating of the pick-up.

Perfect cleaning in any position with the HOLMER VarioPick:

- > Individually adjustable working angle – for fuel-saving and optimum cleaning
- > Adjustment of the pick-up angle from 17° to 22°– for additional space for the removed soil and weeds – to rule out any floating of the pick-up





Cleaning path

In the Terra Felis, the sugar beet passes through various cleaning stations: First in the HOLMER VarioPick, followed by one of the four available post-cleaning options.

The two stations are connected by the 900 mm wide in-feed conveyor, which, thanks to the large passageway to the market, guarantees powerful and gentle transport of the beets from the pick-up to the post-cleaning. An ingenious drop step system ensures that the beets are gently transported from cleaning component to cleaning component.

We know what beets want:

- > **900 mm wide in-feed conveyor** – for unprecedented powerful and gentle beet transport
- > **Resistant, soft PU drivers incl. dirt flaps on the waist belt** – for high throughput and optimum beet protection
- > **More throughput at a lower belt speed** – for less wear and reduced breakage losses
- > **Filter belt for cushioning the drop step from the in-feed conveyor** – for up to 30% fewer beet breakages
- > **Cleaning path flexibly adjustable from 24.4 m to max. 32.0 m** – for adapting to the cleaning requirements
- > **Automatic shut-off strategies for reversing the pick-up and post-cleaner** – for unobstructed working and prevention of damage

Be sensitive.

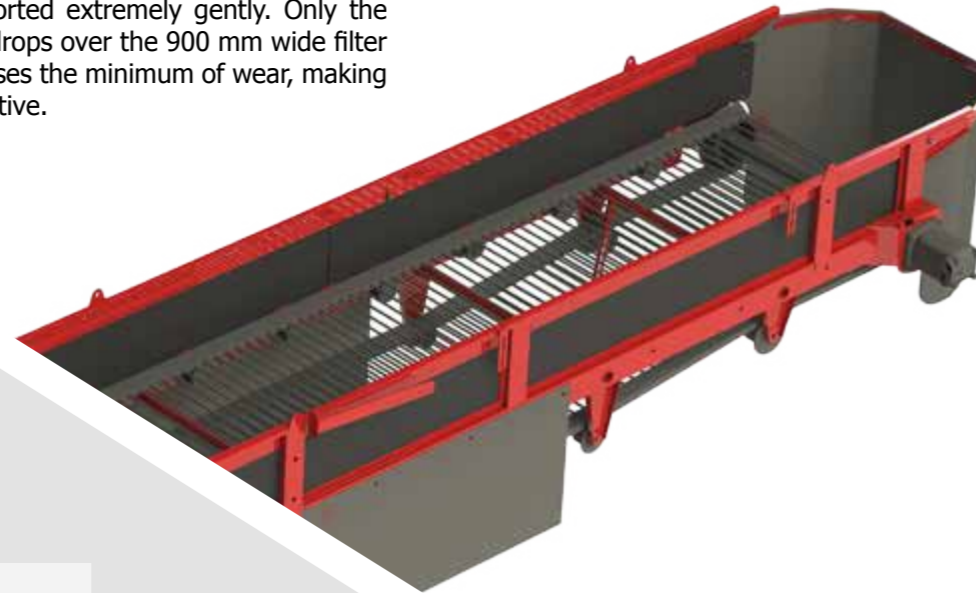
Post-cleaning

Different soils, different cleaning: Always perfect cleaning with the unique, perfectly co-ordinated HOLMER cleaner from VarioPick, feed-in conveyor and post-cleaning versions, which are interconnected over a suspension component. HOLMER exclusively offers four different post-cleaners which can be easily replaced. The perfect combination of cleaning and beet protection is guaranteed for every type of soil.

**Unique for self-propelled machines:
Four variants, tailored to your needs.**

> HOLMER Filter Belt Cleaner – for light soils

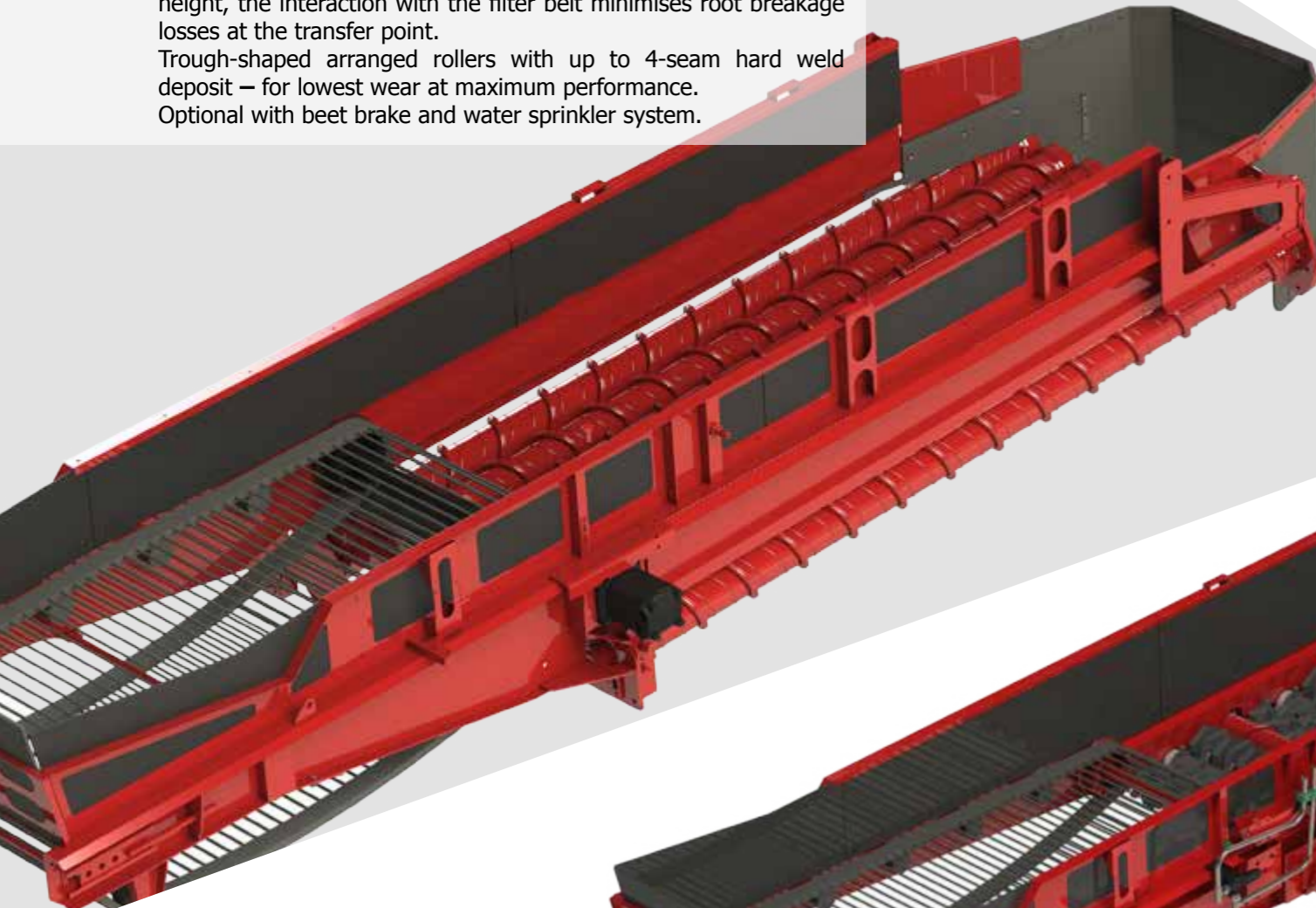
The beets are transported extremely gently. Only the slightly adherent soil drops over the 900 mm wide filter belt. The cleaning causes the minimum of wear, making it extremely cost-effective.



> HOLMER Cleaner – for medium to heavy soils

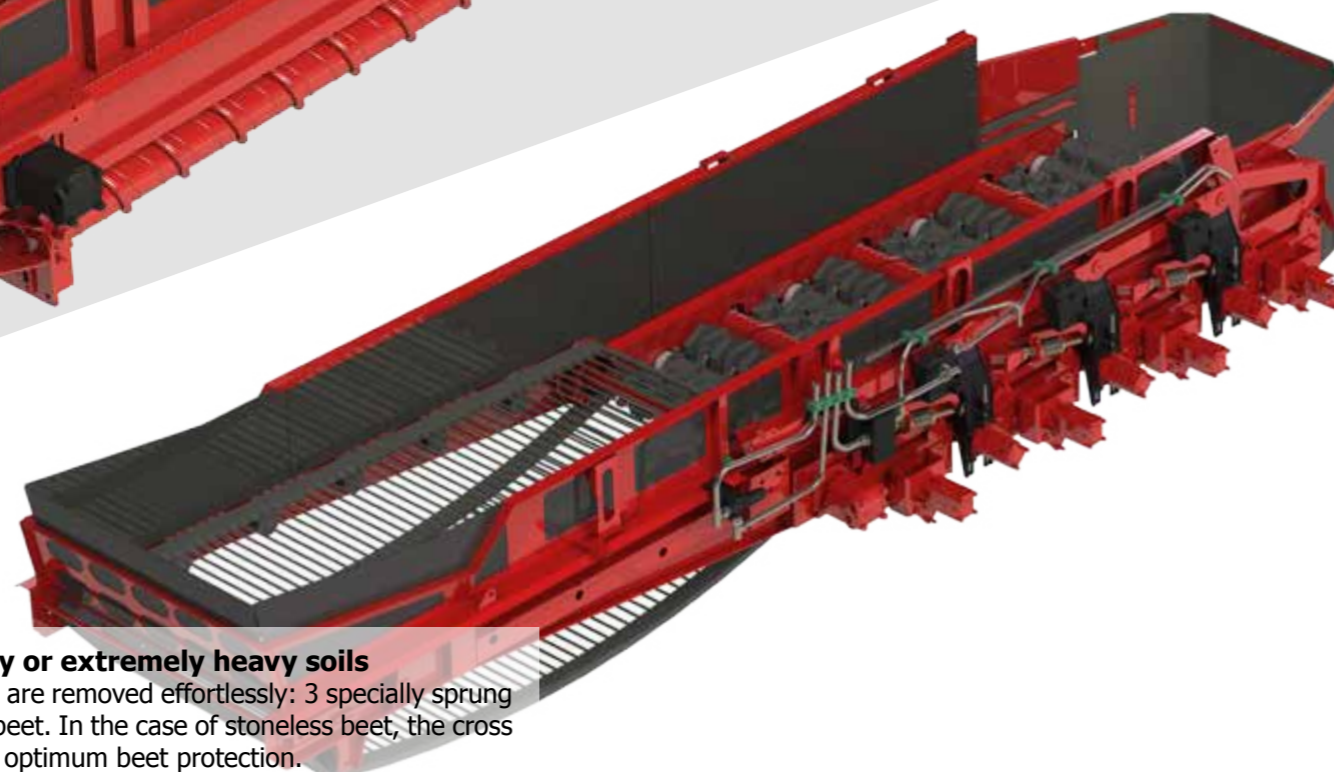
The gentle pinch roller cleaner increases cleaning performance – for intensive cleaning of practically all soils. Thanks to a low dropping height, the interaction with the filter belt minimises root breakage losses at the transfer point.

Trough-shaped arranged rollers with up to 4-seam hard weld deposit – for lowest wear at maximum performance. Optional with beet brake and water sprinkler system.

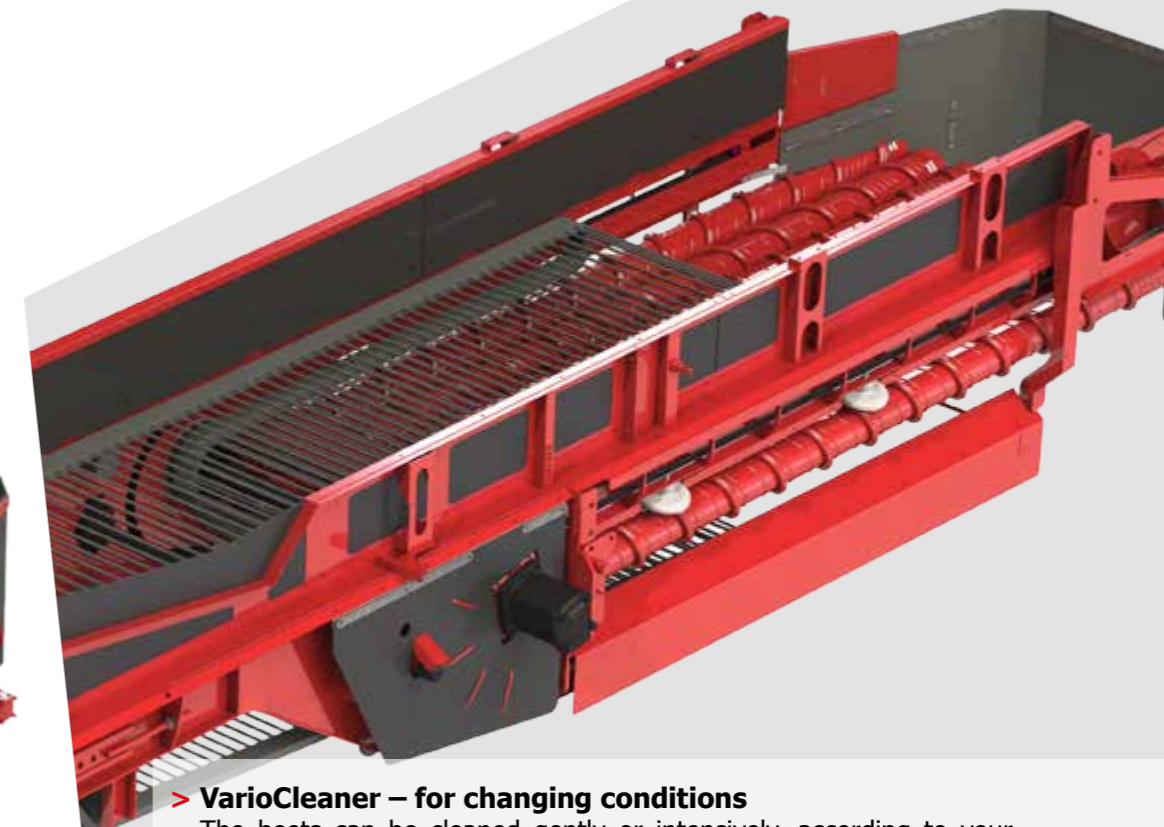


> HOLMER CrossRoller flex – for stony or extremely heavy soils

Even large stones and extremely sticky soil are removed effortlessly: 3 specially sprung cross rollers separate the stones from the beet. In the case of stoneless beet, the cross rollers can be covered with a filter belt for optimum beet protection.



Be flexible



> VarioCleaner – for changing conditions

The beets can be cleaned gently or intensively, according to your needs - for reduced breakage loss.

If small pieces of dirt enter, the pinch rollers can be partially and steplessly covered by a filter belt. Therefore, the HOLMER VarioCleaner is the intelligent complete solution for a wide range of requirements - from heavy and light soil to tall weeds.

The filter belt can be adjusted steplessly during the loading operation, thus adapting the cleaning intensity – for flexible settings during loading.

Optional with beet brake and water sprinkler system.



The unique HOLMER DynaFill scans the transport vehicle by means of laser sensors, recognises the material cone of the beets and, with this information, automatically controls the filling process. The result is a truck which is always perfectly loaded and fulfils all legal requirements for the load.

DynaFill

Transfer loading

Difficult-to-access loading areas, long distances to be bridged, considerably varying loading heights: With a transfer loading range of up to 15 m and a transfer loading height of more than 6 m, a transfer loading angle of 332° can be covered by two hydraulic rotating rings. In the height-adjustable cab, the driver always has everything in view. Using laser sensors, the unique HOLMER DynaFill automatically regulates the filling of the removal vehicles in an innovative and intelligent way – an enormous relief for drivers and those responsible.

Because we want to know what's inside:

- > Transfer loading arm with 15 m transfer loading range – to bridge trenches
- > Transfer loading arm with over 6 m transfer loading height – for bridging embankments
- > Transfer loading arm swivels by 332° – for maximum flexibility
- > Lightweight construction with high-strength PE wear plates – for wear and cost reduction
- > HOLMER DynaFill – for fully automatic, even filling of the removal vehicles
- > Height-adjustable cab – for inspecting the truck and checking the loading with Dyna-Fill
- > Optional: Belt scale integrated in the terminal (weighing cells, speed sensor, angle sensor, weighing machine) – for the most accurate beet quantities
- > Perfectly positioned weighing rollers on the straight kink – for precise weighing

Work precisely.



"Whether for pick-up or various cleaning options – the Terra Felis is a highly complex machine. The best thing in prototype design here is when our joint ideas come together to form a perfect solution."

**Andreas Erl
(Development)**

At HOLMER, there are 400 employees worldwide working every day to make our machines even better for you. From development to customer service, everything at HOLMER comes from a single source. The cooperation is distinguished by progress and passion. Our success is a team achievement, which is why we are a technological leader. Worldwide. For your success.



Please bend



Automatic folding

The folding mechanism of the Terra Felis can be activated by pushing a button, thereby ensuring that the individual modules can be quickly swung out and folded. The modules are automatically controlled in a coordinated safety sequence, so the Terra Felis can switch from road to transfer loading mode in the shortest possible time.

The fast folding automatic system thus guarantees straightforward folding and unfolding, as well as short set-up times.

Are you already loading or are you still folding?

These modules are part of the Terra Felis automatic folding system:

- > Pile clearer (working position/road position)
- > Pick-up blade (fold out/fold up)
- > Side plates of the pick-up (fold out/fold up)
- > Side skirts on the pick-up (extend/retract)
- > Cab (raise and reset/forward and lower)
- > Transfer loading arm (extend/retract)
- > Counterweight arm (swivel out/swivel in)
- > Tank (fold out/fold up)



Unfold freely.

Please bend



Be firm.



Chassis

The Terra Felis 3 offers a comfortable, safe ride with optimum balance. From suspension of the pick-up over the axle distance through to the slope support system and foldable tank, HOLMER offers a complete solution for the field and road.

During loading, the foldable tank acts as a counterweight arm with up to 2870 kg when full, which guarantees stability even if there is a high transfer load. The folding tank's centre of gravity is shifted by up to 19%. The counterweight arm provides the required stability even during downhill loading.

We want to transfer quickly and have a secure stand:

- > Up to 40 km/h road travel – for the fastest possible transfer
- > Slope support system – for a secure stand
- > Suspension system – for safe road driving
- > Ideal weight distribution thanks to the perfect arrangement of modules – for optimum traction over all four wheels
- > Two braked drive axles – for maximum safety
- > Spring-mounted, comfortable chassis with 3rd and 4th axle for driving on roads – for your safety in road traffic
- > Fully foldable tank for shifting weight – for optimum stability even with high transfer loads
- > Easy-to-access tank – for fast refuelling even while the vehicle is in operation

Motor and hydraulics

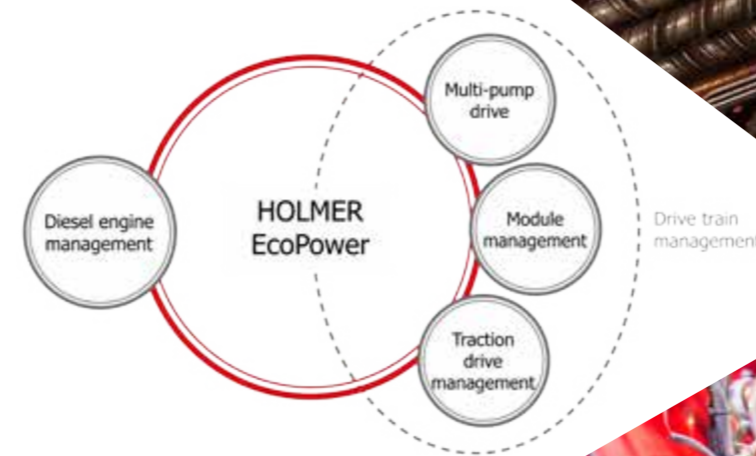
Optimum power with minimum fuel consumption. The high-power Mercedes engine ensures economical diesel consumption through reduced engine speed with a maximum loading efficiency of up to 560 tonnes per hour. Should more power be required, for example if the HOLMER VarioPick is at a steeper working angle due to extreme soiling, sufficient power reserves are available.

The Terra Felis 3 meets the exhaust gas standard Tier 4 final. AdBlue ensures that nitrogen oxides generated during the combustion process are converted into pure nitrogen and water during the exhaust gas after treatment - for the sake of our environment.

The high-quality hydraulic components of the Terra Felis 3 guarantee operational safety. In this way, a reduction in operating costs due to low wear modules is guaranteed. The decoupling of work hydraulics in road driving also reduces fuel consumption.

Sufficient power reserves for the best cleaning results:

- > **354 HP / 260 kW Mercedes engine with twin turbo for maximum performance**
- > **Exhaust gas level Tier 4 final with SCR technology (AdBlue) – for the sake of our environment**
- > **Can start in cold temperatures of up to -30°C – for use in extreme conditions**
- > **Loading operation in optimum engine range at only 1150 rpm – for efficient power transmission**
- > **Automotive driving – for speed reduction during road driving**
- > **Hydrostatic propulsion from LINDE with ROEGELBERG 3-speed transfer gearbox – for optimum feed at any time**
- > **Optional 40 km/h road driving at 1400 rpm – for fast transfer**
- > **HOLMER EcoPower – for optimum power with minimum fuel consumption**
- > **High-performance load-sensing hydraulics with up to 162 l/min – for simultaneous cylinder functions**
- > **4 closed hydraulic circuits with high power reserves – for fast loading**
- > **Optimised accessibility of the individual components – for maximum ease of maintenance**
- > **Hydraulically driven and automatically reversing fan – for cleaning the cooling system**
- > **Hydraulic tank integrated into the engine compartment to keep it warm over long periods of time through the residual engine – for optimum oil viscosity even in very cold operating conditions**



Show strength.

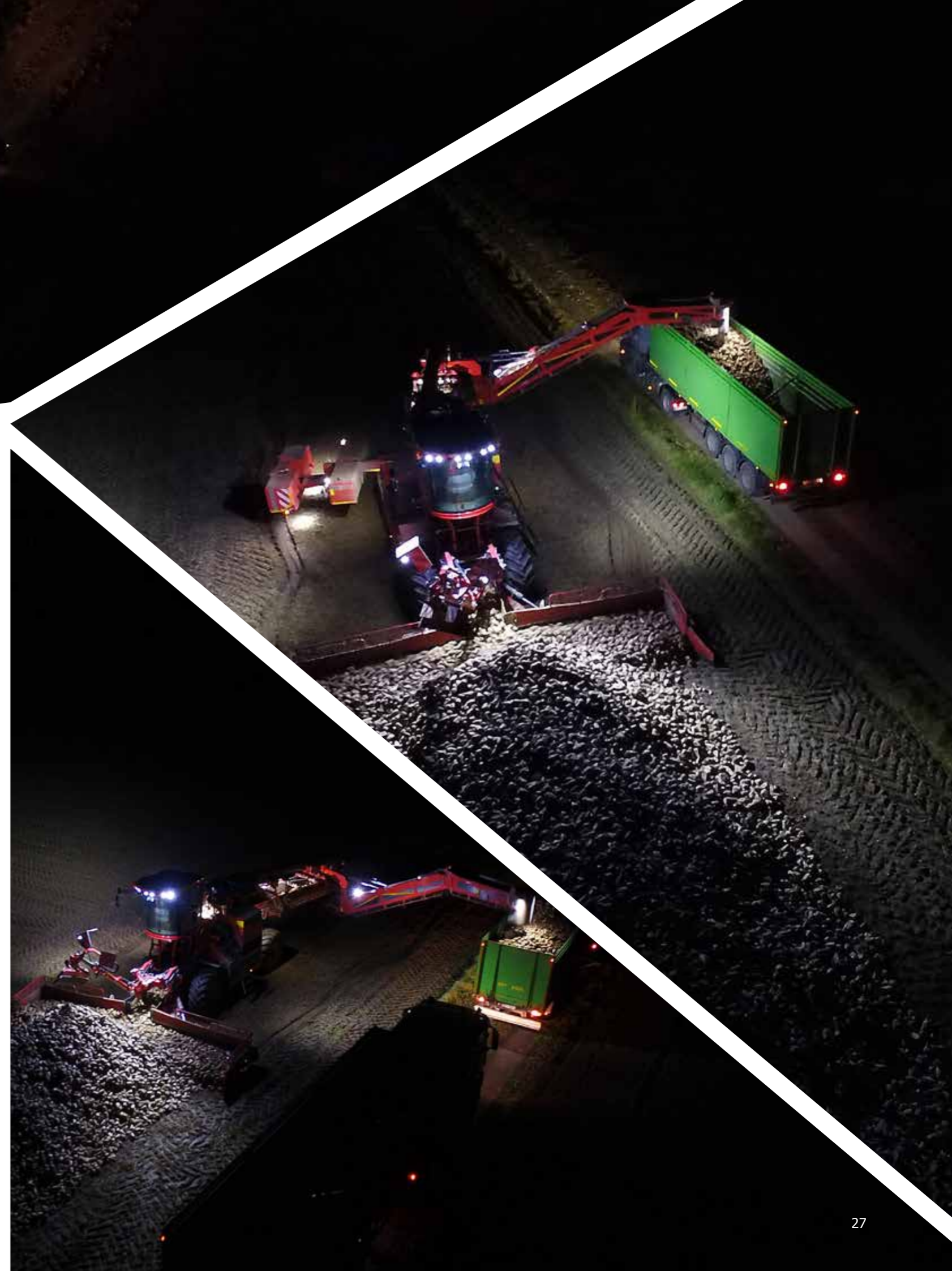


Illumination

The illumination concept of the Terra Felis turns night into day. This also ensures optimal visibility during work at night. The operating range of the machine is illuminated up to 100 % by max. 24 LED headlights. This guarantees maximum safety while picking up and loading the beets – especially at night.

More light, more safety:

- > Perfect lighting of the work area – for your safety
- > A total of 24 LED working lights – for the best illumination on the field.
- > Standard is 14 x 2500 lm and 10 x 1.800 lm power headlights – for relaxed night shifts
- > Soft light – to protect the eyes
- > LED dipped beam and high beam headlights – for relaxed road driving
- > Follow me home function on working lights – for a safe descent





"With the Terra Felis, working really is fun. The height-adjustable cab and the DynaFill are a great relief."

**Johannes Burgmeier
(LMG Laaberrübe GbR)**

With a transfer loading capacity of up to 400,000 tonnes per campaign, the Terra Felis stands for absolute efficiency. This makes you best equipped for beet-loading of the future.

Have profile.



Cab

The largest cab available on the market with floor to ceiling, convex windscreen combines optimum safety and working comfort. To guarantee the driver perfect visibility, the cab can be hydraulically elevated to 5.10 m. The cab travels backwards over the highest point of the lifting device, thus guaranteeing an unrivalled view of the pick-up, in-feed conveyor and transport vehicle. The workplace with thermal insulation glass provides the optimum all-round view around the clock – for working comfort.

After all, the operator is our most important person:

- > Cab can be hydraulically elevated to 5.10 m and moved back by 1.24 m – for perfect visibility with pick-up and removal vehicles
- > Auxiliary heating and air conditioning in the standard model – for an optimum working climate
- > Driver-oriented operating elements – for ergonomic work without fatigue
- > Electrically adjustable and heated rear-view mirrors – for an optimum viewing angle
- > Optimum sound insulation 68 db – for relaxed work
- > Radio with hands-free talking function – for an optimum connection
- > Spacious refrigerator box – for optimum supply
- > Many storage compartments – for a tidy office



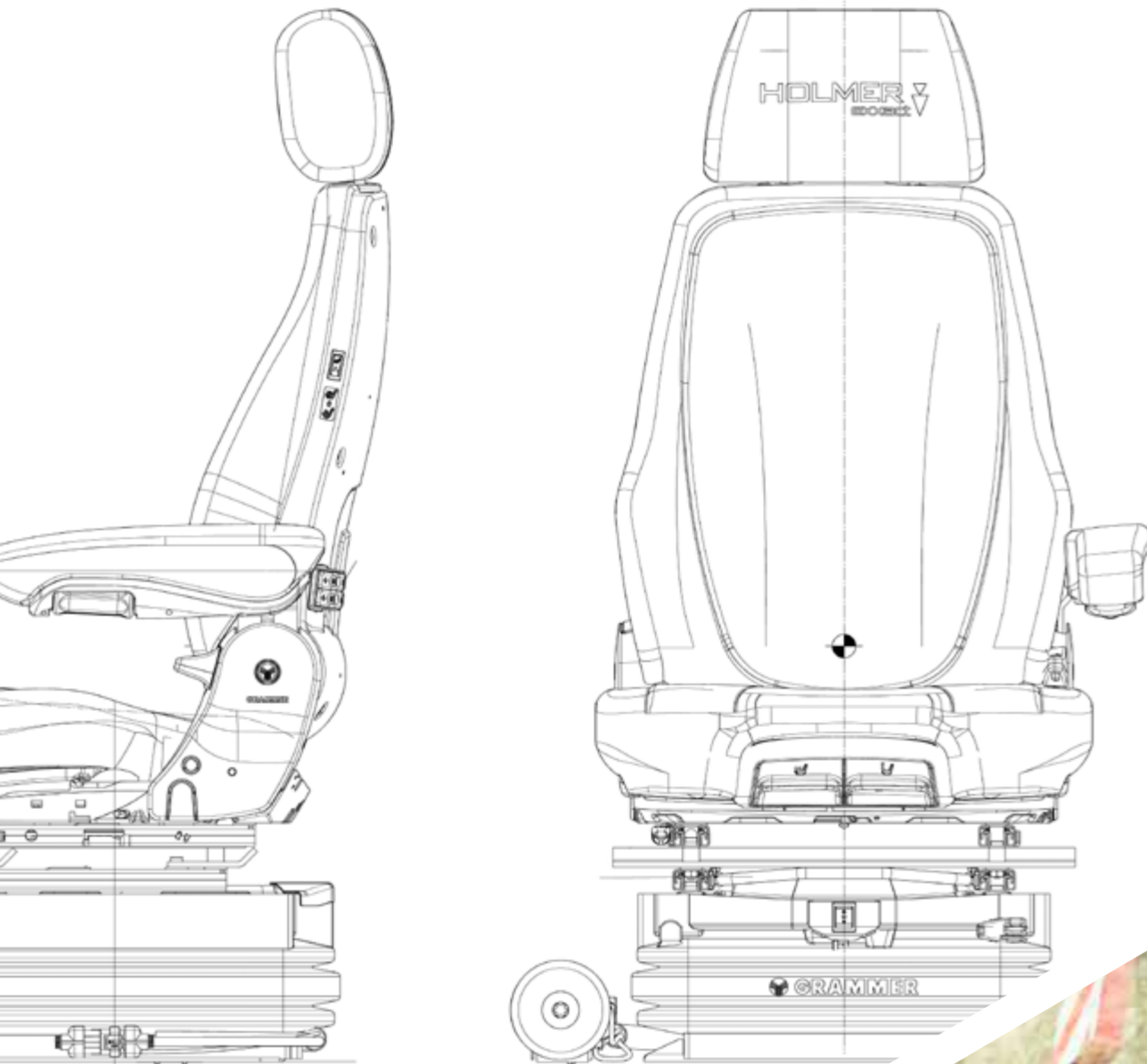
GRAMMER swivel chair

For continuous use, the GRAMMER swivel seat, which has been specially designed for HOLMER, ensures additional driving comfort. It automatically adjusts itself to the operator's weight, dampens and ensures a comfortable climate through active seat ventilation. At a rate of 250 times per second, a position sensor and an accelerometer record the position, as well as the acceleration induced in the Z direction. The spring characteristic is selected individually at any time.

In conjunction with a pneumatic lumbar support and the active reduction of bumps, the operator remains relaxed and highly concentrated on the work. In this connection, the HOLMER panorama cab provides maximum driving comfort for the toughest demands.

Our experience for your health:

- > Specially built for HOLMER – because you are the focus of our developments
- > Active seat ventilation – for sitting comfortably with no sweating
- > Electro pneumatic, actively regulated air suspension with vertical vibration reduction – for the active reduction of impacts
- > Maximum acceleration is reduced to up to 75% – for the sake of your health
- > Pneumatic and individual setting of the swivel seat – so that you always look in the direction of work



Rückgrat haben.



HOLMER SmartDrive

HOLMER SmartDrive is the intuitive operating concept for the Terra Felis. The combination of touch terminal and joystick ensures that every desired function is quickly and easily accessible. Freely programmable keys and short keys ensure comfortable working - because the operator is our most important man.

With HOLMER SmartDrive, the cab of the Terra Felis becomes the centre of the entire removal chain. The driver always has all data and operations in view, and flexibly and comfortably adapts the settings to the local conditions.

The driver in focus:

- > **Intuitive operation – for easy and safe operation**
- > **HOLMER EasyTouch 12.1-inch touch terminal – all information at a glance**
- > **2 proportional comfort joysticks – for ergonomic work**
- > **Video-monitored depth guidance and post-cleaning; wide-angle camera on the transfer loader and rear view camera with standard 4 cameras – for safe machine monitoring**
- > **Fastest automatic folding and unfolding system on the market - for short set-up times and flexible loading – right and left**
- > **Softkeys – for quickly changing settings while loading**
- > **3 individual cleaning positions can be saved – for maximum relief of strain on the driver**
- > **Orientation of all controls to the operator – since the operator and machine are one unit**
- > **Vehicle diagnostics incl. fault memory can be read via USB stick – for quick help**



Everything under control.

Driver assistance systems

The operator is the most important person. We are constantly working on technical solutions to support and facilitate the operator's workload as much as possible - so he can focus on his actual task of loading extremely well-cleaned beets.

Driver assistance systems also enable documentation of the loaded beet quantities, thereby ensuring an efficient logistics chain.

Facilitating the operator's workload - tomorrow's solutions already here today:

> HOLMER DynaFill (optional)

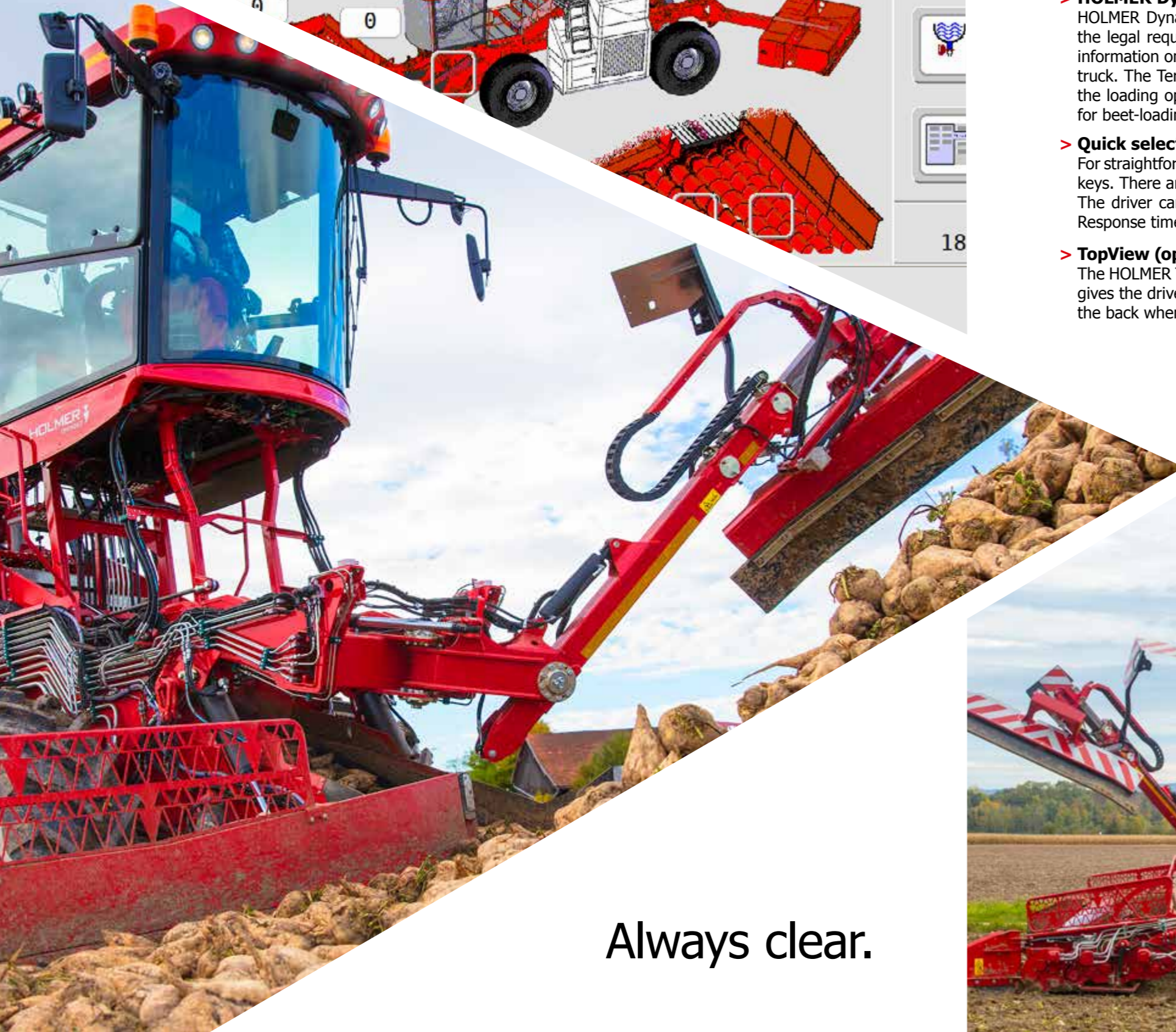
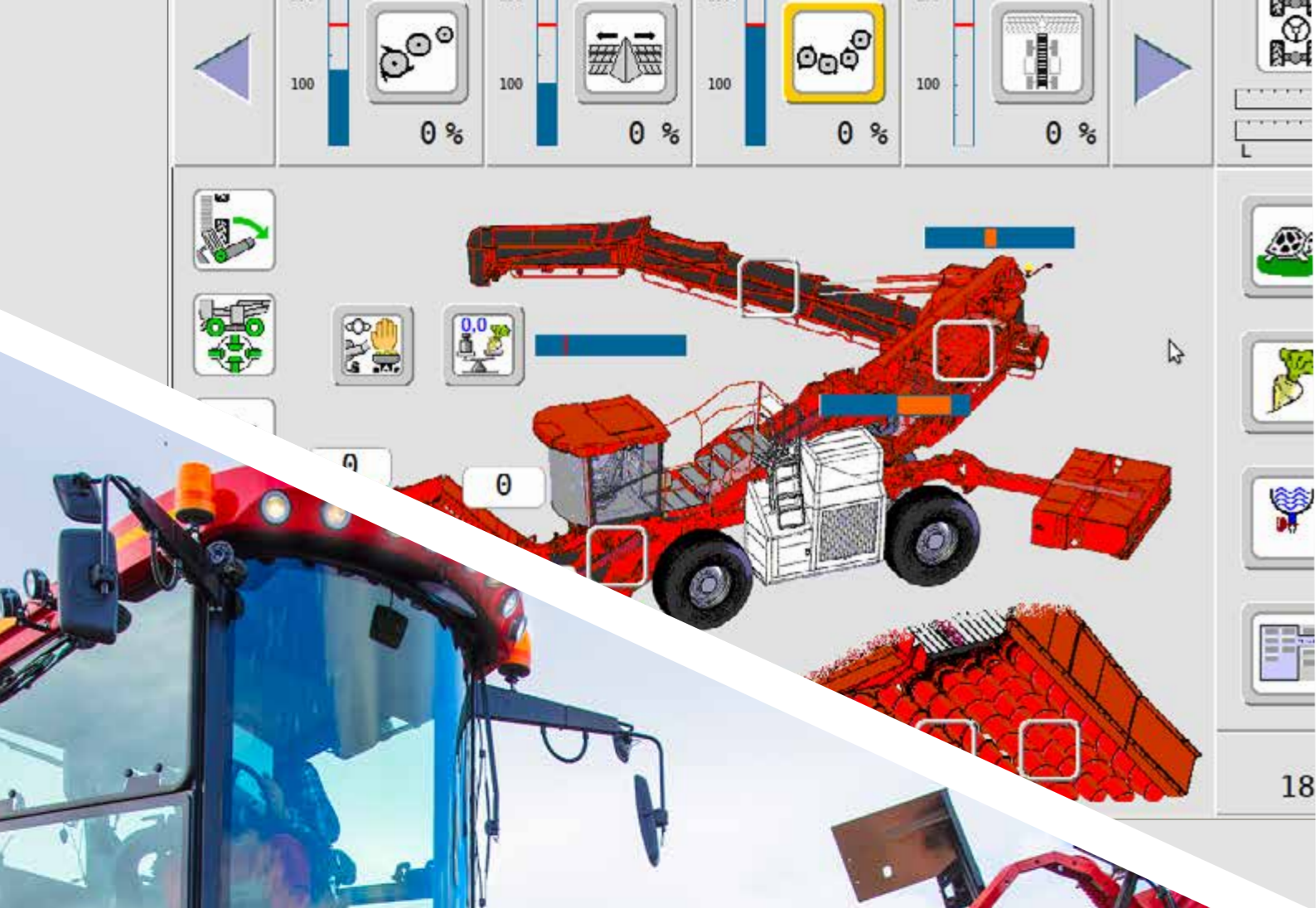
HOLMER DynaFill ensures that the removal vehicles are always loaded optimally and in accordance with the legal requirements – a great relief for drivers and those responsible. The machine software provides information on the fill level via a laser at the transfer loading arm, which recognises the loading area of the truck. The Terra Felis swivels the transfer loading arm to the correct position fully automatically and stops the loading operating as soon as the removal vehicle is evenly loaded. An intelligent and reliable solution for beet-loading.

> Quick selection cleaning intensity

For straightforward and fast adaptation of the cleaning intensities, the Terra Felis 3 has three pre-set selection keys. There are three modi for light contamination, normal contamination and heavily contaminated beets. The driver can also fine-tune all speeds of the individual cleaning units separately, and save the values. Response times to fast-changing conditions during loading are reduced.

> TopView (optional)

The HOLMER TopView create a 270° panorama view of the Terra Felis from the images from 6 cameras. This gives the driver a maximum overview of the machine environment. This completely prevents blind spots at the back when manoeuvring and reversing – for maximum safety.



Always clear.



Options for large piles

Piles cannot always be laid in a way which renders them immediately suitable for transfer loading with the Terra Felis. HOLMER offers two ideal solutions for these large piles – for perfectly cleaned beets in every situation.



Pile divider

Pick up, clean and load any wide pile of up to 10 m high: HOLMER's patented pile divider offers the greatest possible flexibility and allows for the economical use of personnel thanks to its one-person operation. The upstream, horizontally arranged screw feeds the beets to the Terra Felis pick-up and thus reliably removes the largest piles.

Simply divide large piles:

- > Various equipment options for field, meadow, gravel or tar soil – for optimal adaptation
- > Finger rollers and transfer rollers, 2 long gathering rollers, 1 combi-gathering roller with transfer function, 8 short pinch rollers, carbide-coating as standard – for impact-resistant beet-loading and low wear
- > Hydraulic clearance and feed screw – for continuous flow of beet
- > Foldable at 4.50 m – for maximum manoeuvrability
- > Can be stored on transport trailers – for road travel in Germany

Bunker pick-up

As an option, the Terra Felis 3 can be fitted with a bunker pick-up. The bunker is fed by an excavator or wheel loader. This enables beet to be stored in a larger rent or even on fixed spaces.

Perfect cleaning, lowest space requirement:

- > 15 m³ bunker with hydraulically folding side walls – for maximum flexibility
- > 9 cleaning and conveying rollers, 2 x 2 conveying rollers plus worm conveying system below the bunker – for optimum cleaning
- > Stepless adjustment of the speed of the scraper floor – for optimal loading times

Be there.

HOLMER Service

Customer-oriented, reliable, competent, fast – the convincing performance of the Terra Felis is the consistent continuation of its appropriate service. From individual service check to 24-hour hotline: We are always there for you.

- > **28 service partners in the German-speaking world and our own HOLMER service staff – for you on site for the fastest service**
- > **24-hour service hotline – always there for you.**
- > **New logistics centre across 7,000 m² – for a perfect supply of spare parts**
- > **24-hour dispatch of spare parts during the operating time – so you can work safely**
- > **The entire range of spare parts can be conveniently ordered at the online shop – available at any time**
- > **Comprehensive training programme – so that you are well prepared**
- > **Post-harvest check – individual service offers for best operational safety**



Used machines

Thanks to the excellent processing quality "made in Germany" and the use of high-quality components, the Terra Felis retains its value over many years. The demand for used machines is also correspondingly high.

The high value stability and low running costs ensure success for contractors and communities.

Are you looking for a HOLMER hero?
Then get in touch with us!

Be stable.

Technical data

Engine	Mercedes Benz OM 936 LA Tier 4 final incl. AdBlue and SCR-Cat
Cylinder	R-6, Twin-Turbo
Piston displacement	7.7 l
Rated engine speed	1,700 rpm
Rated power at 1,700 rpm	260 kW/354 PS
max. torque at engine speed 1,200 rpm	1,400 Nm
	automatic, hydraulic fan reversing
Fuel tank capacity	approx. 1,400 l
AdBlue tank capacity	approx. 95 l

Propulsion	
Hydrostatic propulsion	LINDE ROEGELBERG 3-speed transfer gearbox Crawl gear can be switched separately
Driving speeds	Crawl speed 0 - 1 m/min, continuously variable incl. torque-dependent charge feed control 1st Gear: 0 to 16 km/h, continuously variable 2nd Gear: 0 to 40 km/h, continuously variable automotive driving mode incl. and automatic speed reduction
All-wheel drive	permanently in loading mode can be switched manually in the road travel gear

Axles	2 planetary steering axles driven by drive shaft
Differential locks	Front & rear axle, pneumatically separated, shiftable with automatic operation automatic switch-off during road driving
Axle support	hydraulically pre-loaded support cylinders on the rear axle pendulum-sprung rear axle

Chassis	
Steering modes	Front axle steering, rear axle steering, all-wheel steering pre-selectable steering combinations including automatic centre position rear axle spring-mounted, comfortable chassis (3 rd and 4 th axle) for road driving, height-adjustable for driving over fields

Tyres	
	MICHELIN MegaXBIB 710/75 R 34

Brakes	
Service brake	hydraulic drum brake on both axles
Parking brake	Spring-loaded parking brake

Hydraulic system	
Hydraulic tank capacity	180 l Pump distributor gears including pressure circulation lubrication
Load-sensing drive hydraulics max. delivery rate	162 l/min BOSCH-REXROTH for cylinder functions including simultaneous control
Pick-up and post-cleaning	4 x closed hydraulic circuits 4 x axial piston pumps (BOSCH-REXROTH)

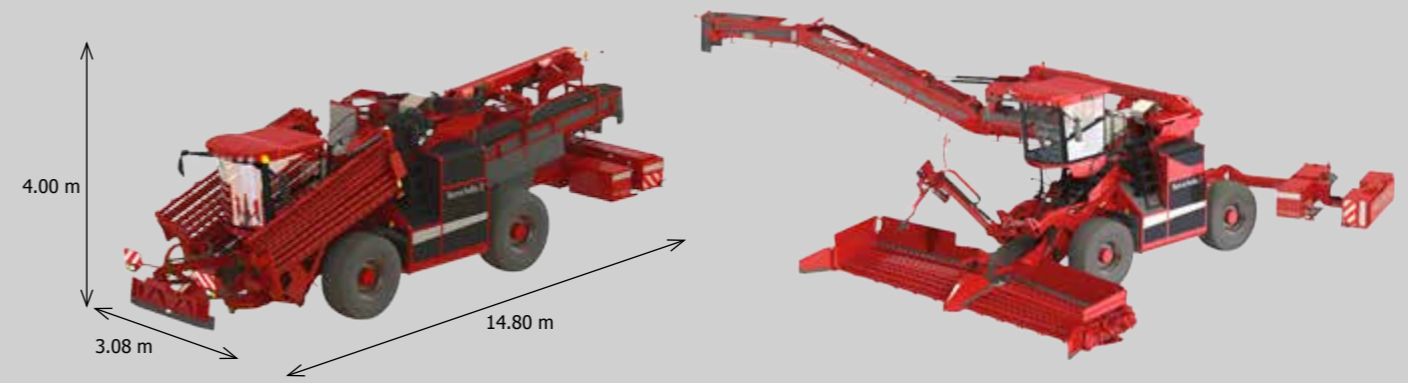
HOLMER EcoPower engine management system	
	Loading at low engine speed 1,150 rpm through optimum gear transfer load-shifting lamellar clutches for decoupling pump lines during road driving
Power supply	24 V alternator 150 A central, modular structure of the on-board electronics in circuit board construction water-resistant and vibration-resistant incl. plug systems with secondary locking 1 x central computer and interchangeable expansion modules 2 x 12 V sockets (cab) 1 x 24 V sockets (engine area) 2 x 12 and 24 V fixed connection (for radio equipment, etc.)

Panorama cab	
	3.5 m ³ space Soundproofing 360° visibility, panorama glazing and adjustable side windows can be hydraulically elevated to 5.10 m and moved back by 1.24 m Climate control and auxiliary heating 4 x windscreen wipers on front, side and rear windows, including interval and wash function Stereo CD radio with Bluetooth hands-free system GRAMMER swivel seat with seat heating and pneumatic lock at the push of a button Sun blinds spacious refrigeration compartment and storage compartments for folders
Innovative operating concept HOLMER SmartDrive	12.1 inch HOLMER EasyTouch touchscreen terminal 2 x ergonomic joysticks with integrated mini joysticks for constantly used functions Settings of all units can be operated and stored using softkeys Quick selection function Cleaning intensity via freely assignable softkeys Fault memory function and diagnostics menu including export via USB interface

Illumination	
Headlights	2 x dipped-beam headlights LED (1,950 lm) 2 x high-beam headlights LED (1,950 lm) 2 x rear lights in full-LED technology and dynamic indicators
Work lights	14 x LED (2.500 lm) cab, all-round 10 x LED (1.800 lm) cleaning unit, transfer loader 3 x all-round lights energy-saving LED engine compartment lighting

Camera system	4 camera series Depth guiding, post-cleaning, transfer loading and reversing camera, Screen layout: 1, 3 and 4-fold monitor mounted on the swivel seat
----------------------	--

Centralised lubrication	BEKA-MAX electronically controlled Intermittent lubrication and manual actuation can be set over the terminal
--------------------------------	---



Pick-up	VarioPick from HOLMER patented Width 9.50 m (inside) 3 independently adjustable roller types automatic and manual reversing function Frost breaker
Angle	Adjustable from 17° to 22°
Rollers	4 pick-up rollers (Finger and transfer rollers) 6 pre-cleaning rollers (Distribution rollers) 8 main cleaning rollers (Pinch and gathering rollers) 140 mm diameter Coil diameter 20 mm made of special wear-resistant material in the conveying direction, special reinforcement on the coils of the gathering rollers, max. 3-ply as standard, up to 4 hard welds between the coils integrated bearing on the continuous gathering roller tube without incline incl. carbide plate at the end of the coils
Pointed tip	Automatic speed adjustment with the transfer loader, slow, interchangeable tip and two-piece hood
Pile clearer	Telescopic tube including pendulum compensation and automatically foldable headlights proportional control via mini joystick Automatic residual beet including offset function

In-feed conveyor	900 mm wide, Partition 50 mm resistant, soft PU drivers, incl. stone and dirt flaps Cleaning function with doubling of the belt speed in very sticky soils In-feed conveyor channel with PU plates for wear protection
-------------------------	--

Post-cleaners	8 x post-cleaning rollers with special double-coating Drop steps 680 to 780 mm (In-feed conveyor on post-cleaner) Drop steps 640 to 720 mm (Post-cleaner on transfer loader) Filter belt (series), 900 mm wide including 50 mm partitioning HOLMER Cleaner (optional), 1,100 mm wide HOLMER VarioCleaner (optional), 1,100 mm wide HOLMER CrossRoller flex (optional), 1,100 mm wide Beet brake (optional)
----------------------	---

Transfer loading arm	Belt width 800 mm Loading height over 6.00 m Loading width max. 15.00 m Lightweight construction with high-strength PE wear plates can be swivelled to the right or left by up to 332° swivel angle
-----------------------------	---

Counterweight arm	integrated foldable diesel tank max. 2,870 kg (full diesel tank) with shift in centre of gravity up to 19%
--------------------------	---

Automatic fold system	automatic folding of the pick-up, cab, transfer loading arm, incl. swinging out and unfolding of counterweight arm Working position or road driving at the push of a button, pre-selectable right or left
------------------------------	--

Cleaning path	min. 24.4 m to max. 31.3 m
Cleaning area	max. 35.5 m ² Automatic shutdown strategies for reversing, pick-up and post-cleaning

Weighting system (optional)	Belt scale from Pfreundt with 2 load cells on the transfer loader and menu control in the terminal, weighing rollers at the straight kink part
------------------------------------	--

HOLMER DynaFill (optional)	fully automatic filling from truck patented laser sensor system on the transfer loading arm incl. recognition of the material cone
-----------------------------------	---

Water sprinkler system (optional)	up to 1,200 l 4 jets in pick-up 6 jets in post-cleaner Continuous and interval operation pressure-dependent control separate pre-selection of the sprinkling and break times Switch right/left
--	--

Dimensions and weight	
Total length	14.8 m
Width	3.08 m at 710/75 R34
Height	4.00 m
Ground clearance	4.80 m

Optional equipment	
	TopView camera system IF 800/70 R 32 MICHELIN 182 A8 TL CerexBib (outer width 3.27 m) Stereo CD radio with Bluetooth hands-free device and DAB+ Bunker pick-up Pile divider; pick-up width: 3.70 m

Subject to modifications for technical progress; approved by TÜV and the trade association; in accordance with the CE regulations



10/2017

HOLMER Maschinenbau GmbH
Regensburger Strasse 20
84069 Schierling/Eggmühl

TEL.: +49 (0) 94 51/93 03-0

FAX: +49 (0) 94 51/93 03-31 32 00

info@holmer-maschinenbau.com

www.holmer-maschinenbau.com

HOLMER 
exxact